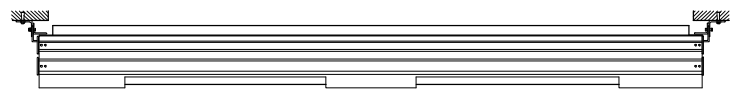


HOOD (standard)

ELEVATION

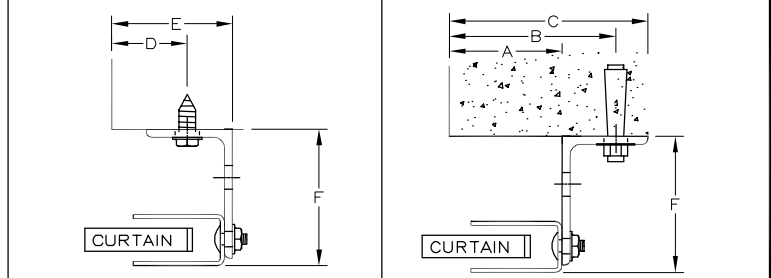
SECTION A - A



PLAN

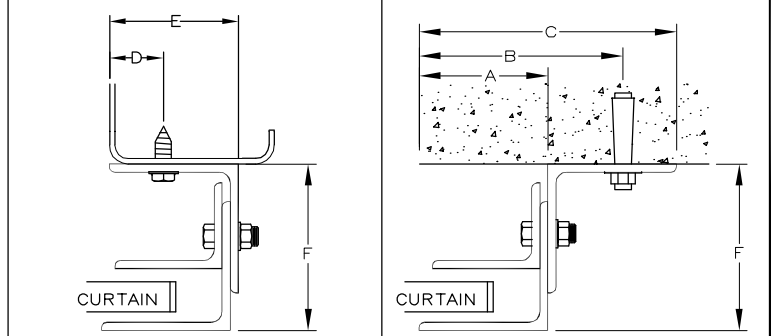
01-23-02

400-J



U-GUIDE FOR STEEL/WOOD

Z-GUIDE FOR CONCRETE/MASONRY



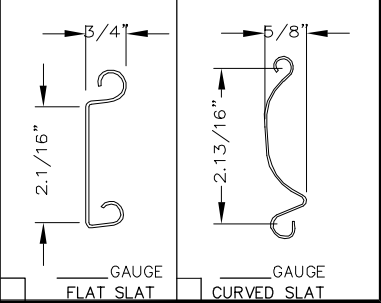
U-GUIDE FOR STEEL/WOOD

Z-GUIDE FOR CONCRETE/MASONRY

GUIDE TYPE	A"	B"	C"	D"	E"	F"
1	2 5/8	3 3/8	4 5/8	1 9/16	2 13/16	3 5/16
2	2 5/8	3 7/16	5 1/4	1	2 13/16	3 15/16
3	2 5/8	4 3/8	5 5/8	1 1/16	2 13/16	4 3/8
4	2 5/8	4 3/8	5 5/8	1 1/16	2 7/8	4 3/4

GENERAL NOTES

- * SLATS/HOOD: GALVANIZED STEEL WITH BAKED ON EPOXY PRIMER & POLYESTER TOP COAT.
- * OTHER SURFACES: SHOP COAT PRIMER
- * OPERATION: RIGHT HAND SHOWN, LEFT HAND OPPOSITE
- * 2 PC. GUIDES ARE USED UP TO 14' X 14' OPENING, 24 GA. ONLY
- * 3 PC. GUIDES PERTAIN TO GUIDE TYPE 2, 3, AND 4



GAUGE FLAT SLAT

GAUGE CURVED SLAT

QTY.	OPENING SIZE		OPERATION	RH LH	CLEARANCES		OPTION	PROJECT:										
	WIDTH "W"	HEIGHT "H"			"X"	"V"		ARCHITECT:	CONTRACTOR:	DISTRIBUTOR:	DATE:	SHEET:	OF:	BY:	REF. #.			
MODEL 400 SERVICE DOOR - WITH MOTOR J																		



NOTE: Porvene Doors is not responsible for improper installation procedures, structural backing, and field inspections of the project itself.

APPROVAL SIGNATURE:

DATE: