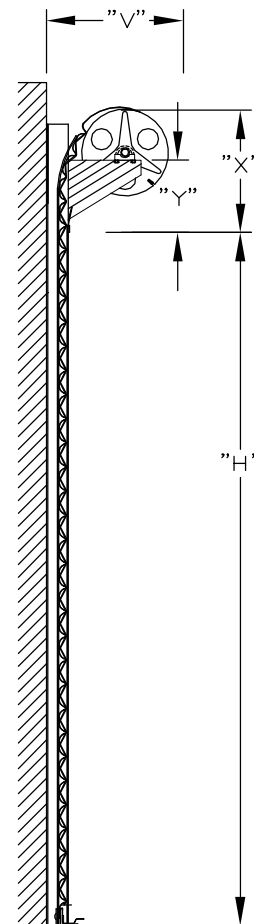
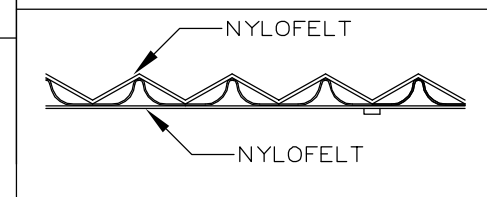
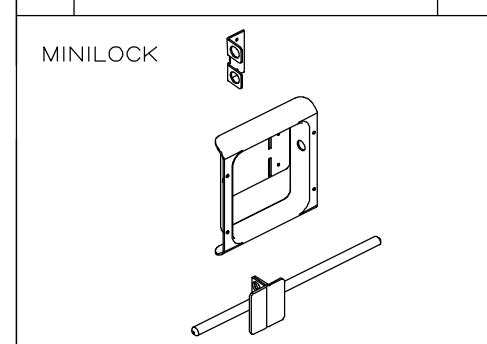
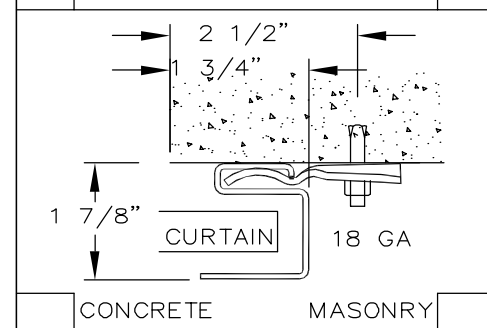
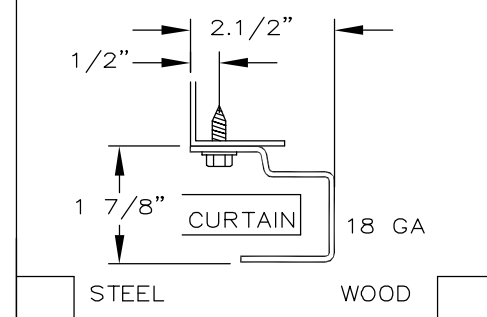


ELEVATION



SECTION A - A



01-11-02

OPERATION	A1"	A2"
MANUAL PUSH-UP	5	5

GENERAL NOTES

CURTAIN: 26 GA. GALVANIZED STEEL WITH BAKED ON EPOXY PRIMER AND POLYESTER TOP COAT.
 GUIDES: ROLL FORMED GALVANIZED STEEL.
 OTHER SURFACES: GALVANIZED OR SHOP COAT PRIMER.
 OPERATION: PUSH/PULL, NO DRIVE REQUIRED
 MAX DOOR SIZE = 10' X 10'

291-MINISELF

MRK.	QTY.	OPENING SIZE		CLEARANCES		OPTION	PROJECT:	ARCHITECT:	CONTRACTOR:	DISTRIBUTOR:	DATE:	SHEET: OF:	BY:	REF. #.
		WIDTH "W"	HEIGHT "H"	"X"	"V"									
MINI/SELF STORAGE DOOR-MODEL 291														



NOTE: Porvene Doors is not responsible for improper installation procedures, structural backing, and field inspections of the project itself.

APPROVAL SIGNATURE:

DATE: