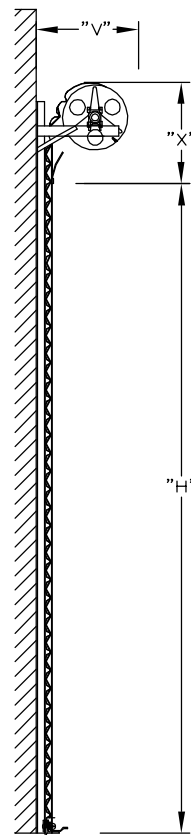
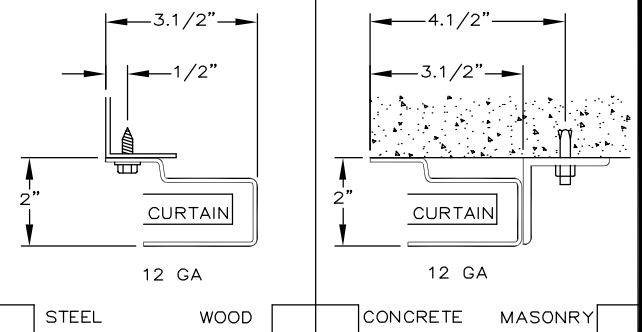


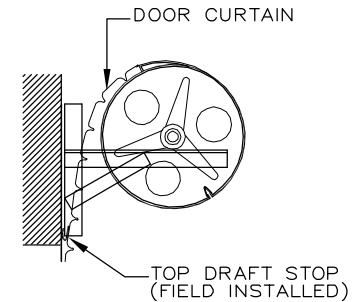
ELEVATION



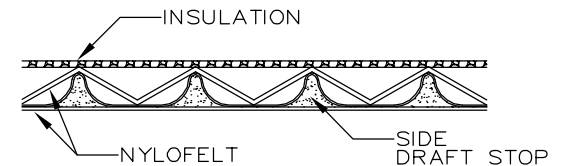
SECTION A - A



STEEL WOOD CONCRETE MASONRY



DETAIL TOP DRAFT STOP



INSULATED CURTAIN

01-11-02

232-INSHEET

OPERATION	A1"	A2"
CAST REDUCTION DRIVE OR ELECTRIC	9	6
REDUCTION DRIVE OR ELECTRIC (14" TO UNDER 20' WIDE)	10	7
REDUCTION DRIVE OR ELECTRIC (DOUBLE BRACKETS FOR 20' WIDE OR WIDER.)	11	8

GENERAL NOTES

CURTAIN: 26 GA. GALVANIZED STEEL WITH BAKED ON EPOXY PRIMER AND POLYESTER TOP COAT.
 INSULATION: POLYETHYLENE BUBBLE, FOIL-LAMINATED INSULATION
 GUIDES: 12 GA. ROLL FORMED GALVANIZED STEEL.
 OTHER SURFACES: GALVANIZED OR SHOP COAT PRIMER.
 OPERATION: LEFT HAND SHOWN, RIGHT HAND OPPOSITE

* NOTE: FOR ALL DOORS, NYLOFELT IS REPLACED WITH STEEL AND RUBBER. GUIDES ARE STEPPED UP TO 12 GA.

MRK.	QTY.	OPENING SIZE		OPERATION	R.H. L.H.	CLEARANCES		OPTION	PROJECT:	ARCHITECT:	CONTRACTOR:	DISTRIBUTOR:	DATE:	SHEET: OF:	BY:	REF. #.
		WIDTH "W"	HEIGHT "H"			"X"	"V"									



INSULATED SHEET DOOR-MODEL 232

NOTE: Porvene Doors is not responsible for improper installation procedures, structural backing, and field inspections of the project itself.

APPROVED SIGNATURE:

APPROVED DATE: