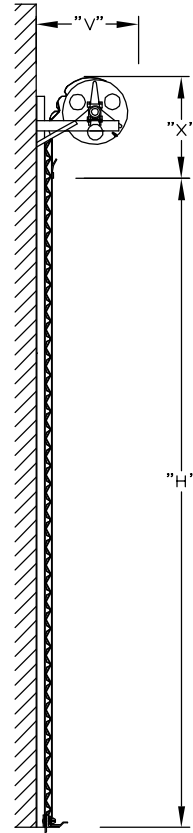
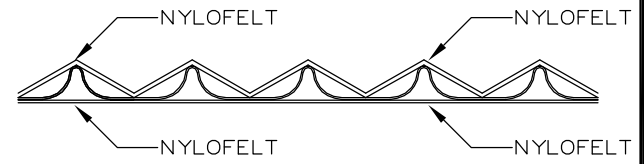
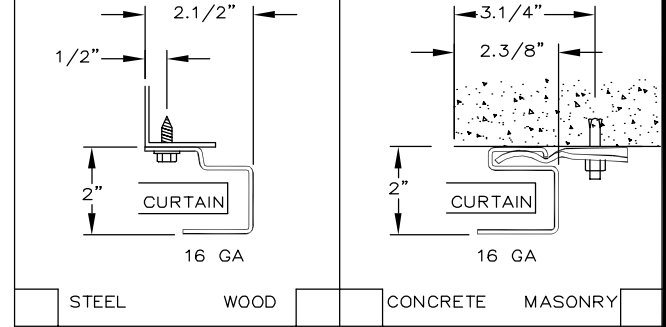


ELEVATION



SECTION A - A



STANDARD CURTAIN

01-11-02

211-COMSHEET

OPERATION	A1"	A2"
MANUAL	5	5
DIRECT DRIVE	8	5
REDUCED DRIVE OR E.O.	9	6

GENERAL NOTES

CURTAIN: 26 GA. GALVANIZED STEEL WITH BAKED ON EPOXY PRIMER AND POLYESTER TOP COAT.
 GUIDES: ROLL FORMED GALVANIZED STEEL. 16 GA. UP TO MAX 12' WIDE X 14' HIGH.
 OTHER SURFACES: GALVANIZED OR SHOP COAT PRIMER.
 OPERATION: LEFT HAND SHOWN, RIGHT HAND OPPOSITE

MRK.	QTY.	OPENING SIZE		OPERATION	R.H. L.H.	CLEARANCES		OPTION	PROJECT:	ARCHITECT:	CONTRACTOR:	DISTRIBUTOR:	DATE:	SHEET: OF:	BY:	REF. #.
		WIDTH "W"	HEIGHT "H"			"X"	"V"									



COMMERCIAL SHEET DOOR-MODEL 211

NOTE: Porvene Door is not responsible for improper installation procedures, structural backing, and field inspections of the project itself.

APPROVAL SIGNATURE:

DATE: